

Focus

single lever basin mixer 100 with pop-up waste set

Surfaces: **chrome** Article Number: **31607000**



Description

product features

- ComfortZone 100
- projection 119 mm
- normal spray
- flow rate: 5 l/min
- ceramic cartridge
- temperature limitation adjustable
- pop-up waste set G 1¼
- suitable for continuous flow water heaters
- connection dimension: DN15
- DVGW NW-6506CM0457
- ETA VA 1.42/19941
- JWWA C-501
- KCW-2012-0426
- Kiwa K6161_Mechanical Mixers EN817
- SVGW 1112-5970
- SINTEF 1824
- SINTEF 1743

Technology



Design awards

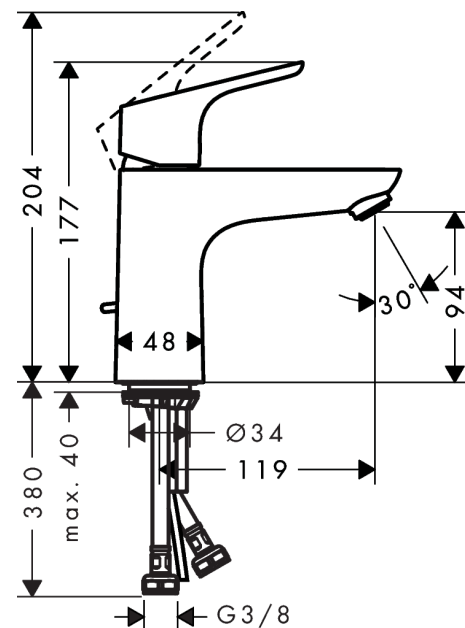


reddot design award

Product image



Scale drawing



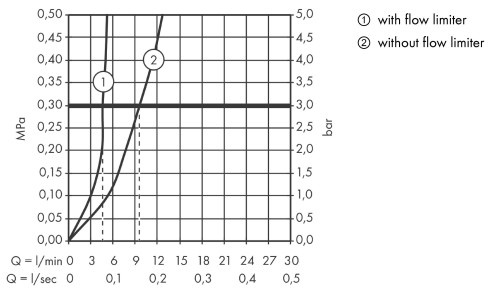
Focus

single lever basin mixer 100 with pop-up waste set

Surfaces: **chrome** Article Number: **31607000**



Flowchart



Focus

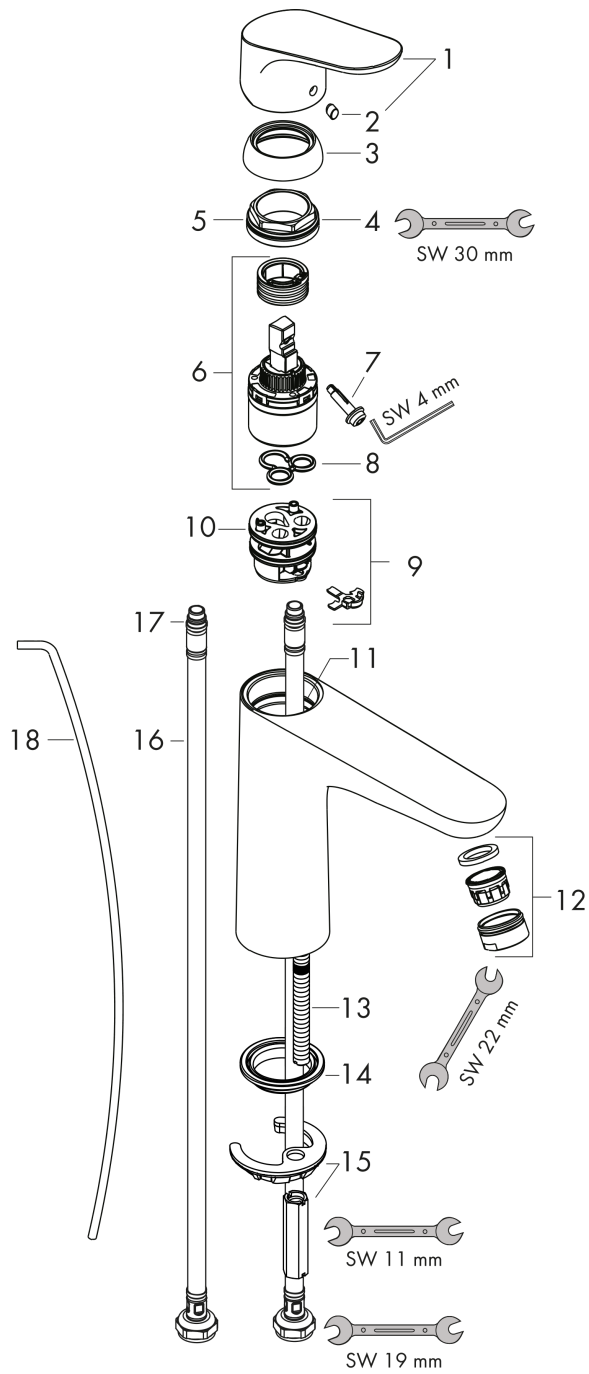
single lever basin mixer 100 with pop-up waste set

Surfaces: **chrome** Article Number: **31607000**



Exploded Drawing

Year of production: >05/17



Focus
single lever basin mixer 100 with pop-up waste set

 Surfaces: **chrome** Article Number: **31607000**

Spare part list

Year of production: >05/17

Pos.	Description	Article Number	PC	PU
1	handle	98532000	8	1
2	screw cover	96338000	1	1
3	flange	97406000	6	1
4	nut	97209000	5	1
5	O-Ring 32x2	98193000	1	1
6	cartridge, assy	92730000	11	1
7	locking screw for handle	95140000	2	1
8	seal	95008000	3	1
9	adapter for cartridge	98750000	4	1
10	O-Ring 30x2	98186000	1	1
11	O-ring 35x2	92604000	2	1
12	aerator M24x1 (5 l/min)	13185000	0	1
13	screw M8 x 68	97736000	2	1
14	seal Ø 42	98722000	2	1
15	fixing set	96016000	8	1
16	connection hose 450 mm M8x0,75 G3/8	97206000	8	1
17	O-ring 6,6x1,6	93019000	0	1
18	pull rod	96657000	4	1